

INTENT AND PRESENTATION OF HIGH EFFICIENCY DC TO DC CONVERTER BY USING MULTI INPUT TRANSFORMER COUPLED METHOD.

P Prabhakar
Assistant professor, Dept. of EEE
Christu Jyoti Institute of Technology and Science
Jangaon, Telangana, India¹

B Prashanth
Research Student, Dept. of EEE
Balaji Institute of Technology and Science
Narsampet, Telangana, India

ABSTRACT:

A control technique for power circulation monitoring of a grid-connected crossbreed electric sensation - wind battery- a based system with associate level cost-effective multi-input transformer paired bi-directional dc-- dc convertor is presented. The scheduled system intends to please the tons need, take care of the centre circulation from totally various resources, infuse the excess power right into the grid, as well as bill the battery from the grid as and also once called for. A transformer-coupled increase half-bridge converter is utilized to harness power from the wind, whereas a paired dollar-- increase convertor is utilized to harness power from PV close to battery charging/discharging administration. A single-phase full-bridge bi-directional convertor is utilized for feeding as masses and also communication with the grid. The prepared converter style has actually decreased variety of power conversion phases with much less component matter and also minimized losses compared to existing grid-connected crossbreed systems. This enhances the strength as well as a result the stability of the system.

Keywords: Battery charge control, bidirectional buck– boost converter, full-bridge bidirectional converter.

1. INTRODUCTION:

The remarkable corresponding habits of celebrity insulation and also wind rate pattern plus the coming before benefits has joint rectifier to the evaluation on their combination following in the crossbreed PV-- wind systems. For attaining the mix of numerous eco-friendly resources, the common method entails persecution specialized single-input converters one for every single resource, that are attached to a conventional dc-bus [1] Nonetheless, these converters do not appear to be efficiently made use of, because of the recurring nature of the sustainable resources. In addition, there are several power conversion phases that reduced the performance of the system. A substantial amount of the literary works feeds on the mix of celebrity and also wind power, as a crossbreed power generation system largely concentrates on its filler and also optimization. The filler of generators in a really hybrid system is examined. In this system, the resources as well as storage space are interfaced at the dc-link with their committed converters. Various payments are developed on their modeling elements as well as administration strategies for a total crossbreed power system. Dynamic efficiency of a total crossbreed PV-- wind system with battery storage space is examined. Passivity/sliding setting administration is considered that regulates the procedure of wind power system to boost the celebrity power creating system. Not a number of makes and effort are produced to enhance the circuit arrangement of these systems that could reduce the worth as well as raise the

effectiveness and also duty. Integrated converters for PV and also wind power systems are provided. PV-- wind crossbreed system, intended in [6], includes simple power geography; nevertheless, it's ideal for full applications. An incorporated four-port geography sustained hybrid PV-- wind system is intended in [8] Nonetheless, in spite of very easy geography, the monitoring motif utilized is made complex. To feed the dc lots, a periodic ability multi-port converter for a crossbreed system is offered.

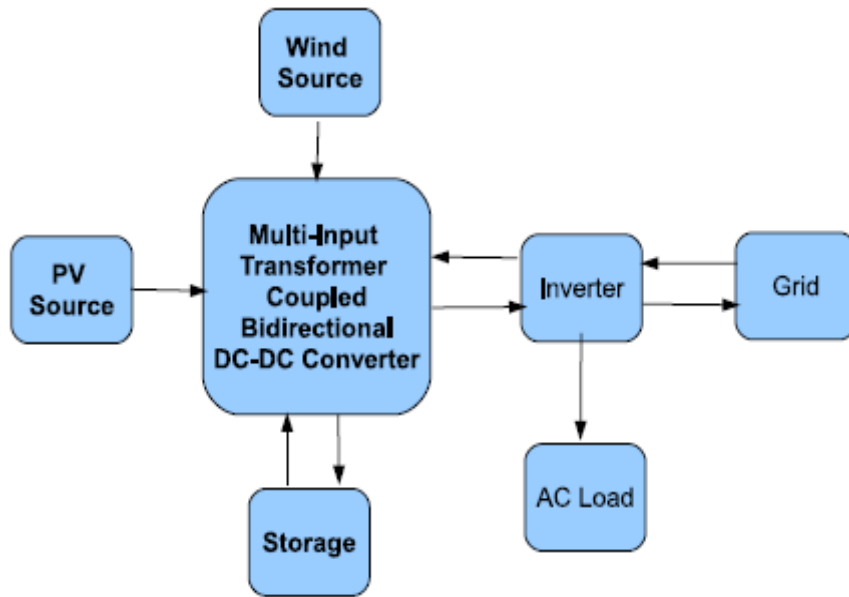


Fig.1.1.Block Diagram.

2. PREVIOUS STUDY:

This geography is generally an altered variation of the fifty percent bridge geography with a free-wheeling circuit branch containing a diode as well as a button throughout the very first winding of the transformer. The alluring inductance of the electric gadget is utilized to save power and also to user interface the sources/storage gadgets. Li et al. as well as Xu et al. have actually prepared a decoupled-controlled record dc-- dc converter for numerous power user interfaces. The centre thickness is boosted, and also consequently the circuit framework is streamlined. Nonetheless, it will certainly user interface simply one eco-friendly supply and also power storage space component. Additionally, the pulse size inflection as well as phase-shift administration technique is presented to generate 2 monitoring flexibilities and also perform the decoupled voltage guideline at periods precise personnel differ. All the state-of-the-art on converter geographies provided thus far will certainly fit simply one sustainable supply as well as one power storage space component. Whereas the intended geography can interface 2 eco-friendly resources and also power storage space component. For this reason, it's a great deal of dependable, as 2 entirely various sorts of eco-friendly resources, like PV and also wind, are utilized either on a private basis or at the exact same time while not a surge in the element matter compared to the here and now modern geographies.

3. PROPOSED SYSTEM:

The prepared converter contains a transformer-coupled increase dual-half-bridge two-way converter joined with a bi-directional dollar-- increase converter as well as a single-phase full-bridge inverter. The intended converter has actually decreased series of power conversion phases with much less component matter as well as high effectiveness compared to the dominating grid-connected systems. The geography is simple and also wants exclusively 6 power buttons. The schematic of the converter is displayed in Fig. The increase dual-half-bridge converter has 2 dc-links on each the sides of the high-frequency electric gadget. Leading the voltage of 1 of the dc-links makes sure leading the voltage of the contrary. This makes the administration approach simple. In addition, added converters might be incorporated with anyone of both dc-links. A two-way dollar-- increase dc-- dc converter is incorporated with the very first facet dc-link, and also a single-phase full-bridge two-way converter is linked to the dc-link of the 2nd element. The input of the half-bridge converter is made by attaching the PV selection asynchronous with the battery, thus including AN integral increasing phase for the style The enhancing capacity is in addition enhanced by a high regularity step-up electric tool. The electric tool furthermore makes certain galvanic seclusion to the lots from the resources as well as consequently the battery. A two-way dollar-- increase converter is used to harness power from PV along with battery charging/discharging administration. The one-of-a-kind function of this converter is that MPP tracking, battery cost monitoring, as well as voltage increasing square step achieved with a solitary converter. A transformer-coupled increase half-bridge converter is utilized for taking advantage of power from the wind, as well as a single-phase full-bridge two-way converter is utilized for feeding as masses as well as communication with the grid

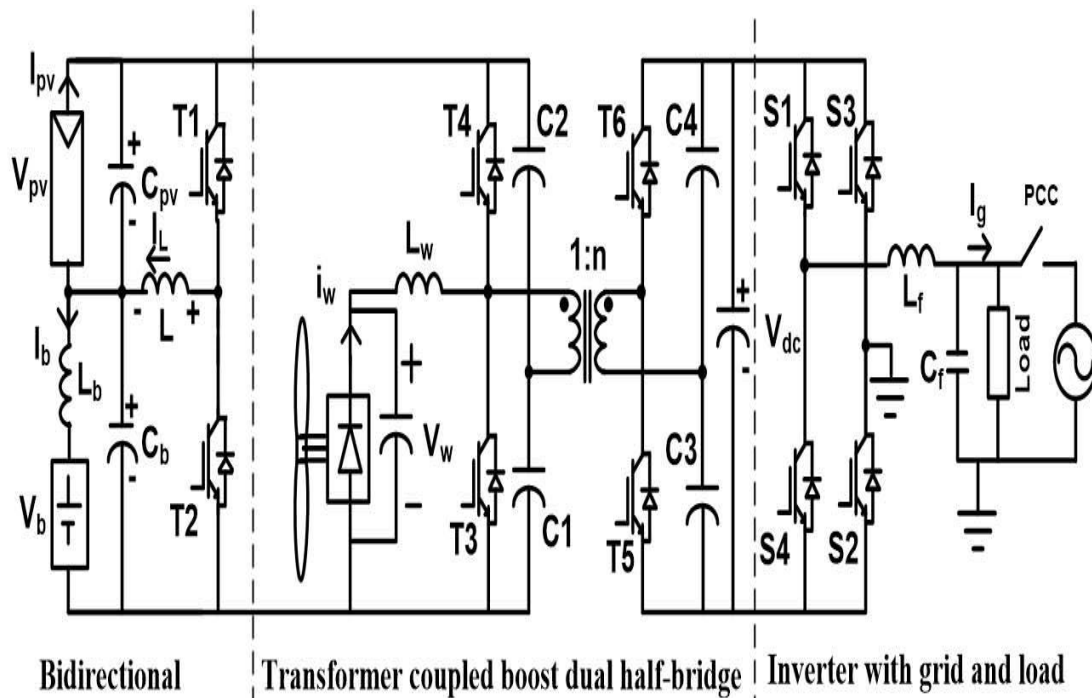


Fig.3.1.Actual power diagram.

4. SIMULATION RESULTS:

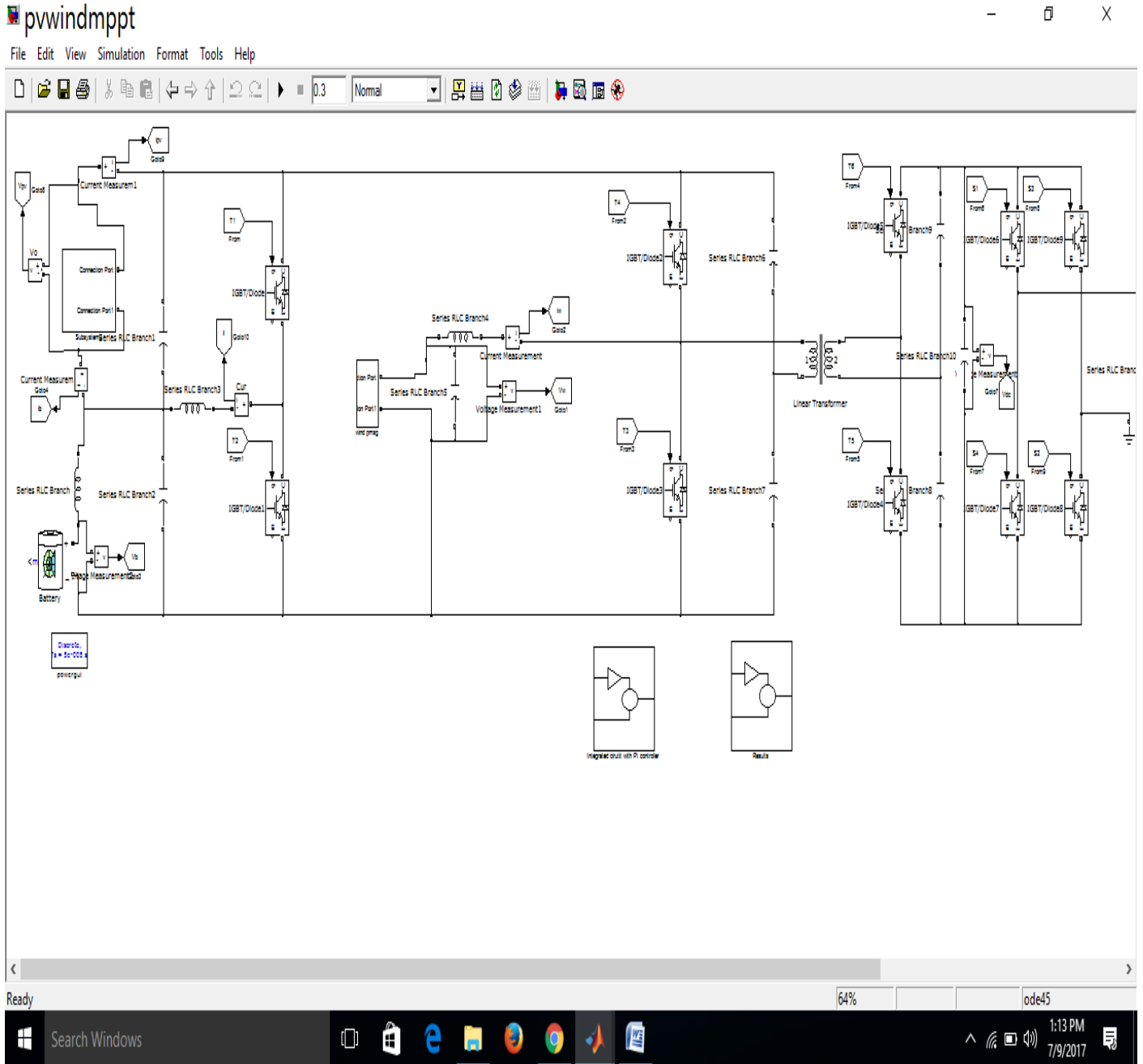


Fig.4.1. Simulation diagram.

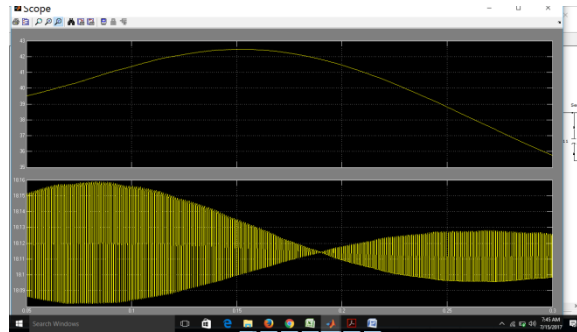


Fig.4.2.current and voltage across the pv system.

The system feedback for action modifications within the source-1 seclusion degree whereas functional within the MPPT setting is received Fig. each the resources square action functional at MPPT and also billing the battery with consistent present as well as additionally the continuing to be power is fed to the grid. At the immediate a set of s, the source-1 insulation degree is bigger. Consequently, the source-1 power will certainly rise, as well as each the resources still run at MPPT. Though the source-1 power has bigger, the battery stays billed with the very same size of the existing, and also power equilibrium is accomplished by boosting the capability geared up to the grid. At split second 4 s, the seclusion of source-1 is provided to similar degree as prior to 2 s. the capacity outfitted by source-1 declines. Battery remains to prompt billed at the similar size of the present, and also power infused right into the grid lowers. A similar outcome square step acquired for action adjustments within the source-2 wind rate degree. These outcomes square action received Fig.

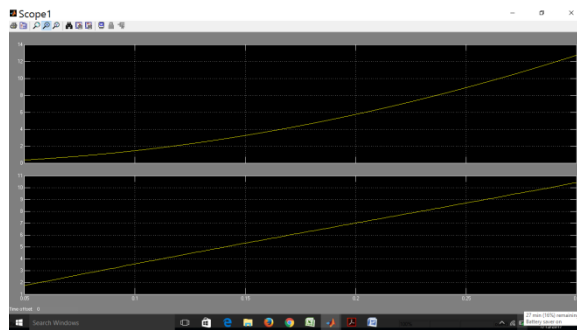


Fig.4.3.current and voltage across the wind system.

5. CONCLUSION:

The recommended crossbreed system supplies a superb combination of PV as well as wind supply to remove most power from both resources. Its total by an one-of-a-kind multi-input transformer combined bi-directional dc-- dc tool adhered to by a common full-bridge electric converter. An adaptable administration approach that accomplishes an enhanced usage of PV, wind power, battery abilities without influencing the life time of the battery, as well as power circulation administration in a grid-connected crossbreed PV-- wind-battery-based system feeding air conditioning hundreds is presented. Clarified simulation research studies location system portioned to figure out the feasibility of the style. The speculative outcomes acquired location system in closed contract with simulations as well as location device ancillary in showing the possibility of the system to function either in grid feeding or in total settings. The intended arrangement can

task uninterruptible power to air conditioning hundreds and also makes certain the emptying of excess PV as well as wind generation right into the grid.

REFERENCES:

- [1] F. Balenciaga along with P. F. Sulston, "Supervisor tracking for a complete crossbreed generation system victimization wind as well as additionally electrical experience power," *IEEE Trans. Power Convers.*, vol. 20, no. 2, pp. 398-- 405, Jun. 2005.
- [2] C. Liu, K. T. Chau, as well as likewise X. Zhang, "A cost effective wind-- photovoltaic or pv or pv crossbreed generation system victimization two times as terminated up permanent-magnet brushless tools," *IEEE Trans. Ind. Electron.*, vol. 57, no. 3, pp. 831-- 839, Mar. 2010. [3] W. Qi, J. Liu, X. Chen, as well as likewise P. D. Christofides, "Supervisory prognosticative control of stand-alone wind/solar power generation systems," *IEEE Trans. keeping track of Syst. Technol.*, vol. 19, no. 1, pp. 199-- 207, Jan. 2011.
- [4] F. Giraud along with Z. M. Salameh, "Steady-state performance of a grid-connected roofing crossbreed wind-photovoltaic configuration with battery storage room," *IEEE Trans. Power Convers.*, vol. 16, no. 1, pp. 1-- 7, Mar. 2001.
- [5] S.-K. Kim, J.-H. Jeon, C.-H. Cho, J.-B. Ahn, as well as additionally S.-H. Kwon, "Dynamic modeling as well as likewise management of a grid-connected crossbreed generation system with versatile power transfer," *IEEE Trans. Ind. Electron.*, vol. 55, no. 4, pp. 1677-- 1688, Apr. 2008.
- [6] M. Dali, J. Belhadj, along with X. Roboam, "Hybrid solar-- wind system with battery storage area useful in grid-connected along with stand-alone setup: Control along with power management-- Experimental exam," *Energy*, vol. 35, no. 6, pp. 2587-- 2595, Jun. 2010.
- [7] W. D. Kellogg, M. H. Nehrir, G. Venkataramanan, along with V. Gerez, "Generation system filler as well as additionally worth assessment for complete wind, electrical experience, as well as likewise crossbreed wind/PV systems," *IEEE Trans. Power Convers.*, vol. 13, no. 1, pp. 70-- 75, Mar. 1998.
- [8] L. Xu, X. Ruan, C. Mao, B. Zhang, as well as additionally Y. Luo, "An increased maximum sizing approach for wind-solar-battery crossbreed arrangement," *IEEE Trans. Preserve. Power*, vol. 4, no. 3, pp. 774-- 785, Jul. 2013.